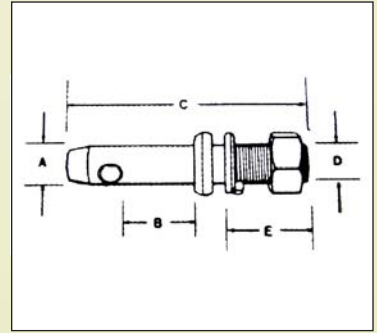


## Lift Arm Pin

Model #	Product#	Cat.	Description	"A" Pin Diam	"B" Usable Length	Price
#P7220	(2-0-6762)	0	Adjustable; universal	5/8"	Adj.	<b>2.99</b>
#P728	(2-0-6763)	1	Forged; universal	7/8"	1-3/4"	<b>2.99</b>
#P722	(2-0-6700)	1	Adjustable; universal	7/8"	Adj.	<b>4.19</b>
#P7245	(2-0-6764)	1	Forged; extra long	7/8"	2-1/4"	<b>4.99</b>
#P7240	(2-0-6765)	1-2	Forged; to work cat. 1 implements on cat. 2 tractor	1-1/8"	1-13/16"	<b>5.99</b>
#P7219	(2-0-6702)	1	Adjustable; universal; extra long	7/8"	Adj.	<b>5.29</b>
#P724	(2-0-6708)	1-2	Adjustable; to work cat. 1 implements on cat. 2 tractor	1-1/8"	Adj.	<b>7.69</b>
#P7212	(2-0-6766)	2	Forged; universal	1-1/8"	1-3/4"	<b>7.99</b>
#P721	(2-0-6712)	2	Adjustable; universal	1-1/8"	Adj.	<b>11.49</b>



## Stablizer Pin

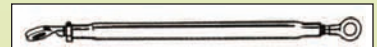
Model #	Product #	Description	Pin Diam.	Usable Length	Price
#P781	(2-0-6760)	Replaces Ford 230044, Massey Ferguson 18177M1	7/8"	3/8"	<b>.98</b>
#P785	(2-0-6761)	Replaces Ford 141185, Massey Ferguson MF668154M1	7/8"	1-1/4"	<b>4.19</b>
#P711	(2-0-6759)	Fits all SpeeCo hitches and most stabilizer kits.	7/8"	1/2"	<b>1.98</b>



Model #	Product #	Description	Price
---------	-----------	-------------	-------

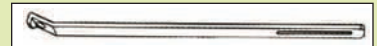
## Stablizer Arm

#SA621	(2-0-6775)	Right or left universal stabilizer arm; 7/8" pin holes on 31-9/16" centers; fits SpeeCo SK611 stabilizer kit; painted red	<b>4.98</b>
#SA6260	(2-0-6776)	Heavy duty adjustable forged stabilizer arm; fits all Ferguson models, Ford 2N, 8N, 9N, NNA, 600, Massey-Ferguson 35, 50, 175, 65, 135, 150, 165, 180; adjustable from 28-1/2" to 36"; 7/8" pin holes; 7/8" NF threads; yellow zinc painted.	<b>35.99</b>



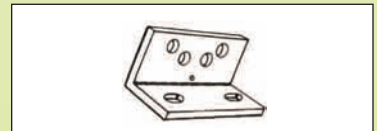
## Upper Stay Strap

#DS511	(2-0-6777)	Upper stay strap for category 1; fits all Ferguson models, Ford 2N, 8N, 9N, NAA, 600, 700, 800, 900, Oliver 550 and all Oliver 3-point conversions, Massey-Ferguson 35 and 50; painted red.	<b>11.49</b>
#DS512	(2-0-6778)	Lower stay strap for category 1; fits all Ferguson models, Ford 2N, 8N, 9N, NAA, 600, 700, 800, 900, Oliver 550 and all Oliver 3-point conversions, Massey-Ferguson 35 and 50; painted red.	<b>11.49</b>



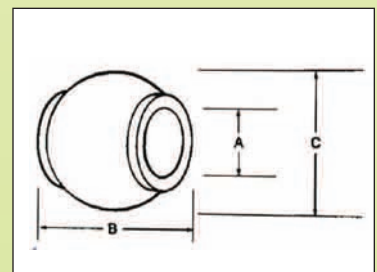
## Stabilizer Bracket

#SB631	(2-0-6779)	Right or left universale stabilizer bracket; fits, Speeco SK611, SK612 and SK610 Ferguson and Ford stabilizer kits; accomodates P781 stub pin; painted red.	<b>11.49</b>
--------	------------	---	--------------



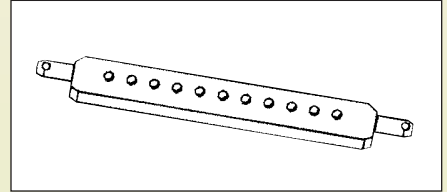
## Replacement Balls

Model #	Product #	Cat	Description	"A" Pin Hole	"B" Length Thru Bore	"C" Ball Diam	Price
#B242	(2-0-6769)	2	John Deere & Oliver top link ball; replaces Deere F2681, Oliver 104585A	1"	1-3/4"	2"	<b>1.98</b>
#B243	(2-0-6770)	1	Ford Lift Arm ball; replaces Ford DDN995233; fits Ford 3000, 4000, 5000	7/8"	1-3/8"	2-1/4"	<b>6.99</b>
#B247	(2-0-6771)	1	Ford Lift Arm ball; narrow width; replaces C5NN557B	1-18"	1-3/8"	2-1/4"	<b>6.99</b>



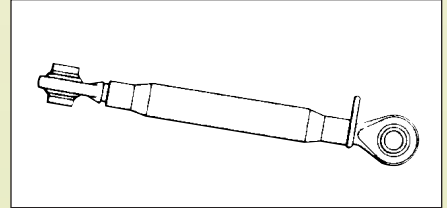
## Draw Bar

Model#	Product #	Category	Lift Arm Spacing	Holes	Hole Dia.	Pin Dia.	Thickness	Width	
#DB411	(2-0-6758)	1	26	11	3/4	7/8	1	2-1/2	<b>46.99</b>
#DB422	(2-0-6756)	2	32	13	3/4	1-1/8	1-1/4	3	<b>59.99</b>



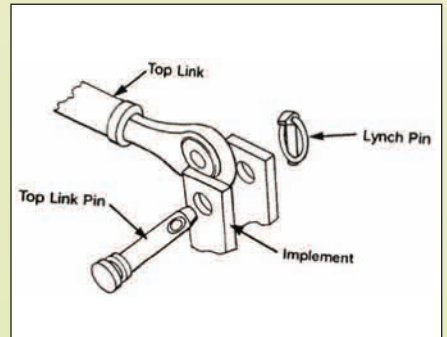
## Top Link

Model #	Pin Product #	Thread Category	Type	Holes	Dia.	Body	Adjustment	
#TL165	(2-0-6748)	1	Std	3/4	1-1/8	16	20-1/2....29	<b>37.99</b>
#TL166	(2-0-6750)	1	Std	3/4	1-1/8	20	20-1/2....33	<b>54.99</b>
#TL174	(2-0-6752)	2	Std	1	1-1/8	16	20-1/2....29	<b>54.99</b>



## Top Link Pin

Model #	Product #	Cat.	Description	"A" Pin Diam	"B" Usable Length	
#P776	(2-0-6767)	0	Top link pin	5/8"	3"	<b>1.99</b>
#P771	(2-0-6716)	1	Replaces Ford 9N-560, Ferguson 195647M1	3/4"	2-3/4"	<b>2.59</b>
#P772	(2-0-6718)	1	Long top link pin ; Replaces Ferguson 195589M1, AC339942	3/4"	3-7/8"	<b>2.69</b>
#P7715	(2-0-6768)	1	Extra long top link pin; replaces Ford E381T9	3/4"	4-3/4"	<b>2.99</b>
#P7716	(2-0-6720)	2	Replaces Ford C5NN560A, MF185873M91, AC2090149/239888	1"	3-9/16"	<b>5.19</b>
#P774	(2-0-6722)	2	Replaces Ford C5NN486A	1"	4-3/8"	<b>5.99</b>



## Lift Arm

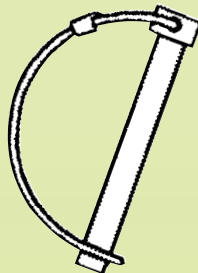
#LA335 Category 1 right or left hand forged lift arm. Fits all Ferguson models. Ford 2N, 8N, 9N, NAA, Massey-Ferguson 35, 50, Oliver 550 and Oliver 3-point conversion. John Deere 1010; 7/8" pin holes; 31-3/4" ball centers; 34-1/2" overall length; painted red. (2-0-6774)

**60.99**



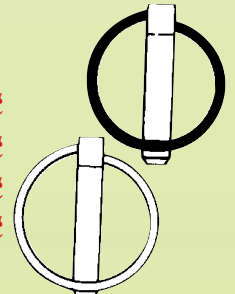
## PTO Lock Pin

Model #	Product #	Size	
#P7938	(2-0-6781)	1/4"	<b>1.19</b>
# P7941	(2-0-6782)	3/8"	<b>1.19</b>
#P7940	(2-0-6726)	5/16"	<b>1.39</b>



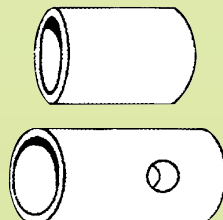
## Lynch Pins

Model #	Product #	Size	
#P794	(2-8-1575)	1/4"	<b>45¢</b>
#P7919	(2-0-6780)	3/16"	<b>59¢</b>
#P791	(2-8-1571)	7/16" Std.	<b>59¢</b>
#P7913	(2-8-1574)	7/16" H.D.	<b>99¢</b>



## Bushing Lift Arm

Model #	Product #	
#B832	(2-8-1577)	<b>4.69</b>
#B8312	(2-8-1578)	<b>7.49</b>



## Bushing Top Link

Model #	Product #	
#B833	(2-8-1576)	<b>2.29</b>

